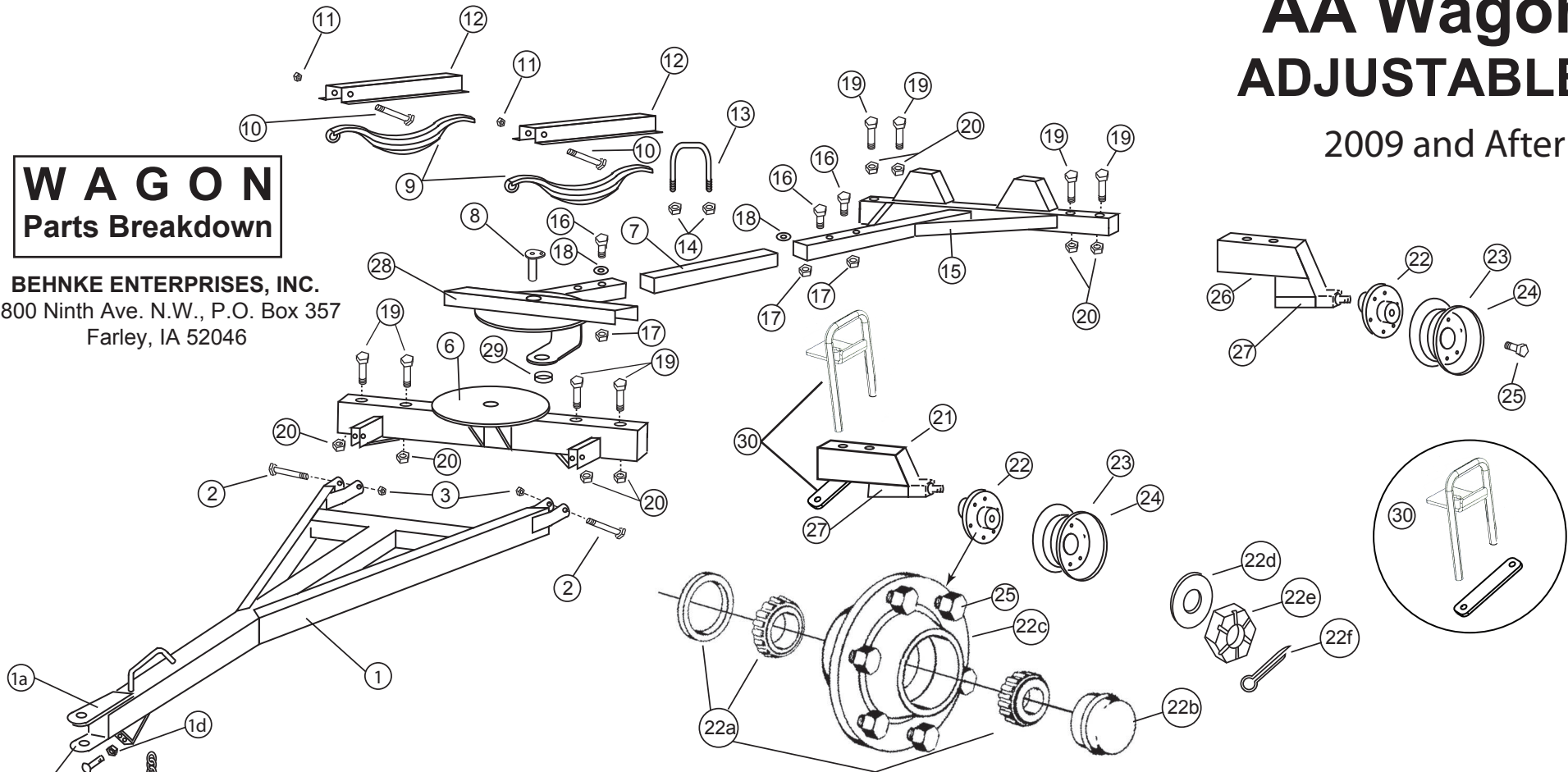


AA Wagon ADJUSTABLE

2009 and After

WAGON Parts Breakdown

BEHNKE ENTERPRISES, INC.
800 Ninth Ave. N.W., P.O. Box 357
Farley, IA 52046



KEY PART#	Description	Qty.
1	91001 Tongue	1
1a	31041 Upper Clevis	1
1b	31041 Lower Clevis	1
1c	81044 1/2" x 1 1/4" Grade 5 Carriage Bolt	2
1d	81040 1/2" Lock Nut, Serrated	2
2	81016 1" x 4 1/2" Hex Bolt	2
3	81017 1" Lock Nut	2
4	81053 1/2" Flat Washer	8
5	81012 Safety Chain w/ Hook	8
6	91057 Front End Complete Weldment	1
7	31128 Adjustable Reach Tube	1
8	91062 2" Reach Pin Weldment	1

KEY PART#	Description	Qty.
9	81014 7-leaf Slipper Spring	2
10	81015 Spring Bolt	2
11	81045 Spring Bolt Nut	2
12	91005 Spring Holder Bracket	2
13	81041 1/2" U Bolt	4
14	81040 1/2" Lock Nut	8
15	91058 Rear End Complete Weldment	1
16	81050 3/4" x 2" Hex Bolt	2
17	81049 3/4" Nylon Lock Nut	2
18	81051 3/4" Flat Washer	1
19	81042 3/4" x 2 Hex Bolt	4
20	81246 3/4" Nylon Lock Nut	18
21	91059 Front Adjustable Axle	2
22	81018 6 Bolt Hub, Complete with bearings	4

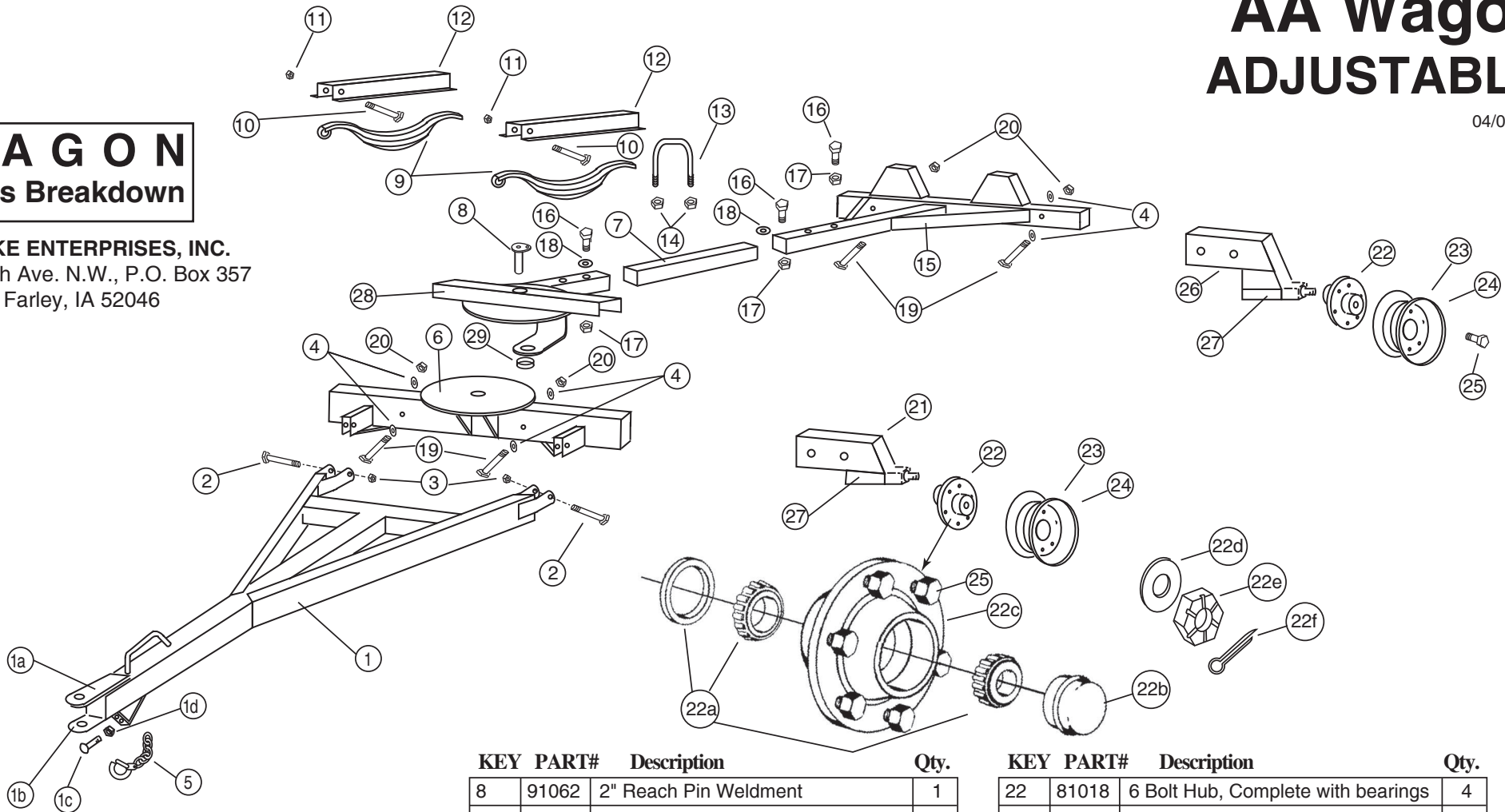
KEY PART#	Description	Qty.
22a	81020 Bearings and seal, only	
22b	81021 Dust Cap, only	
22c	81047 6 Bolt Hub, only	
22d	81105 Axle Bearing Washer 3/4	
22e	81103 3/4 x 16 UNF Castle Nut	
22f	81104 1/8 Cotter Pin	
23	81005 15 x 8 6-Bolt Rim	4
24	81006 15 x 10 6-Bolt Rim	4
25	81046 9/16" Lug Bolt	2
26	91060 Rear Adjustable Axle Weldment	2
27	81019 2" Spindle, 3,500 lb., only	4
28	91061 Reach Weldment	1
29	31056 Collar and bolt	1
30	91146 U-bolt Plate Kit	

AA Wagon ADJUSTABLE

04/09/12

WAGON Parts Breakdown

BEHNKE ENTERPRISES, INC.
800 Ninth Ave. N.W., P.O. Box 357
Farley, IA 52046

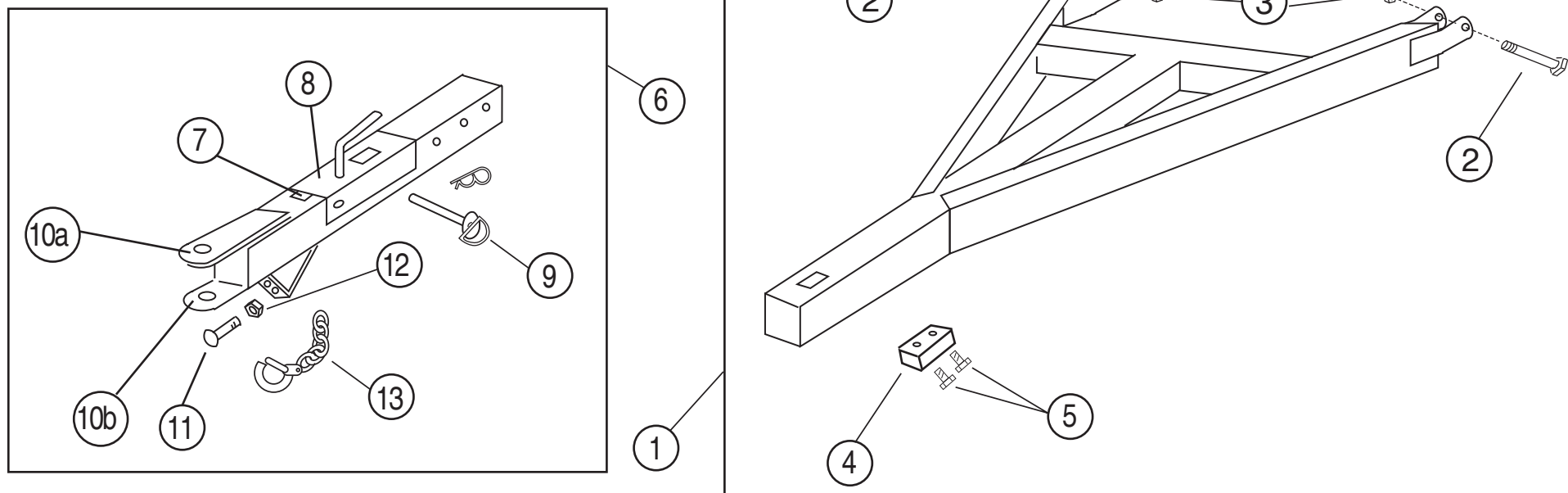


KEY PART#	Description	Qty.
1	91001 Tongue	1
1a	31041 Upper Clevis	1
1b	31041 Lower Clevis	1
1c	81044 1/2" x 1 1/4" Grade 5 Carriage Bolt	2
1d	81040 1/2" Lock Nut, Serrated	2
2	81016 1" x 4 1/2" Hex Bolt	2
3	81017 1" Lock Nut	2
4	81053 1/2" Flat Washer	8
5	81012 Safety Chain w/ Hook	8
6	91057 Front End Complete Weldment	1
7	31128 Adjustable Reach Tube	1

KEY PART#	Description	Qty.
8	91062 2" Reach Pin Weldment	1
9	81014 7-leaf Slipper Spring	2
10	81015 Spring Bolt	2
11	81045 Spring Bolt Nut	2
12	91005 Spring Holder Bracket	2
13	81041 1/2" U Bolt	4
14	81040 1/2" Lock Nut	8
15	91058 Rear End Complete Weldment	1
16	81050 3/4" x 2" Hex Bolt	2
17	81049 3/4" Nylon Lock Nut	2
18	81051 3/4" Flat Washer	1
19	81042 1/2" x 5 Hex Bolt	4
20	81246 1/2" Nylon Lock Nut	18
21	91059 Front Adjustable Axle	2

KEY PART#	Description	Qty.
22	81018 6 Bolt Hub, Complete with bearings	4
22a	81020 Bearings and seal, only	
22b	81021 Dust Cap, only	
22c	81047 6 Bolt Hub, only	
22d	81105 Axle Bearing Washer 3/4	
22e	81103 3/4 x 16 UNF Castle Nut	
22f	81104 1/8 Cotter Pin	
23	81005 15 x 8 6-Bolt Rim	4
24	81006 15 x 10 6-Bolt Rim	4
25	81046 9/16" Lug Bolt	2
26	91060 Rear Adjustable Axle Weldment	2
27	81019 2" Spindle, 3,500 lb., only	4
28	91061 Reach Weldment	1
29	31056 Collar and bolt	1

Retractable Hitch Tongue



KEY	PART#	Description	Qty.
1, 6	91091	Complete Retractable Hitch Tongue	1
1	91032	Tongue--Rear Part Retractable	1
2	81016	1" x 4 1/2" Hex Bolt	2
3	81017	1" Lock Nut	2
4	31070	Slide Stop Block	1
5	81293	1/2" x 2 1/2" Grade 5 Hex Bolt	2
6	91033	Front Tongue Retractable	1
7	31068	Spring Steel Plate (Latch Spring)	1
8	91034	Hand Lock Retractable	1
9	81294	3/4 x 4 1/4 Hitch Pin	1
10a	31041	Upper Clevis	1
10b	31041	Lower Clevis	1
11	81044	1/2" x 1 1/4" Grade 5 Carriage Bolt	2
12	81040	1/2" Lock Nut, Serrated	2
13	81012	Safety Chain w/ Hook	8

Retractable Hitch Tongue

Use on:

AAWagon
 High Clearance Wagon
 Fixed Wagon
 Auto Steer Wagon

BEHNKE ENTERPRISES, INC.
 800 Ninth Ave. N.W., P.O. Box 357
 Farley, IA 52046

